

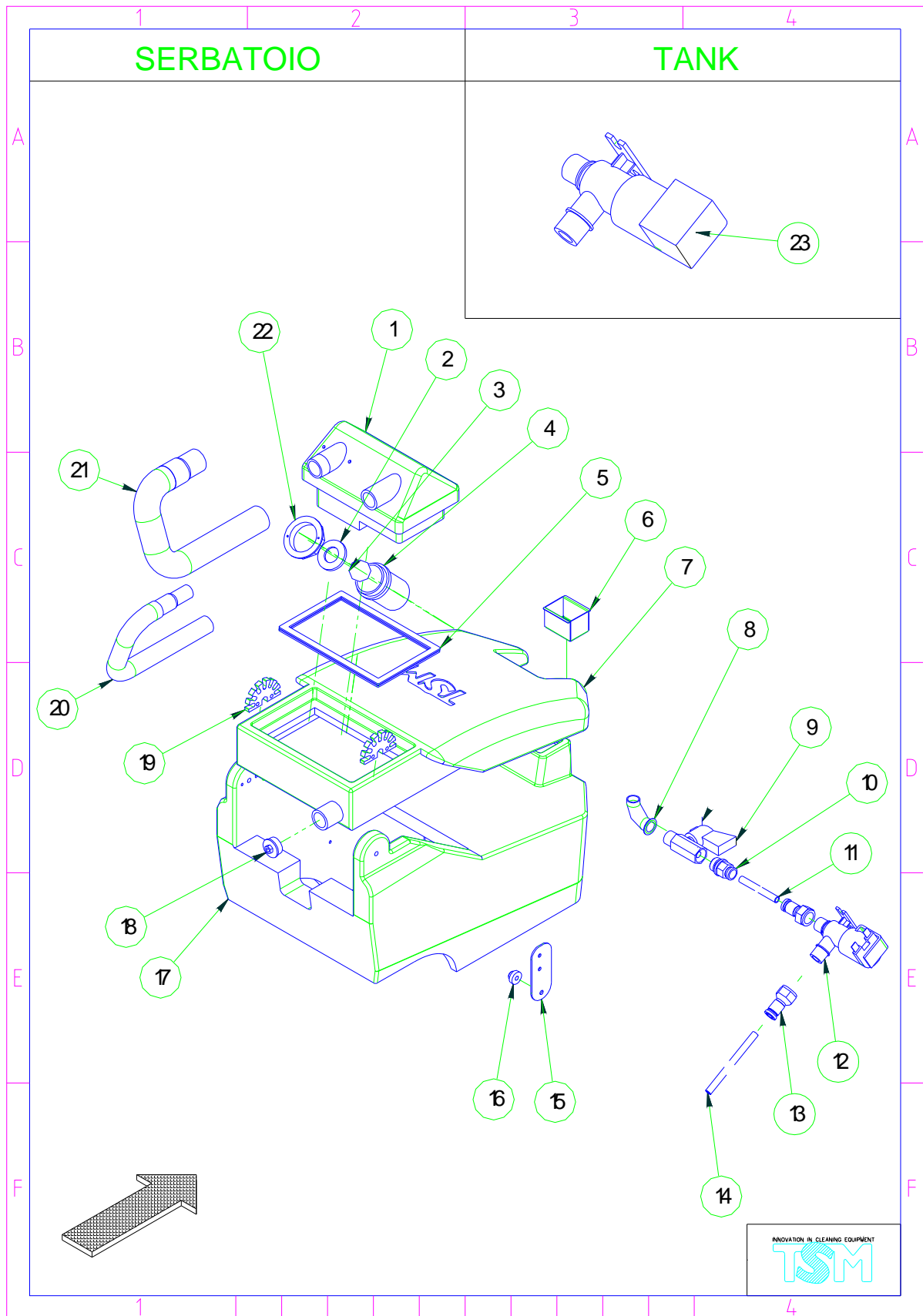
BRIO 35 E & B

Spare parts manual

2008 V01



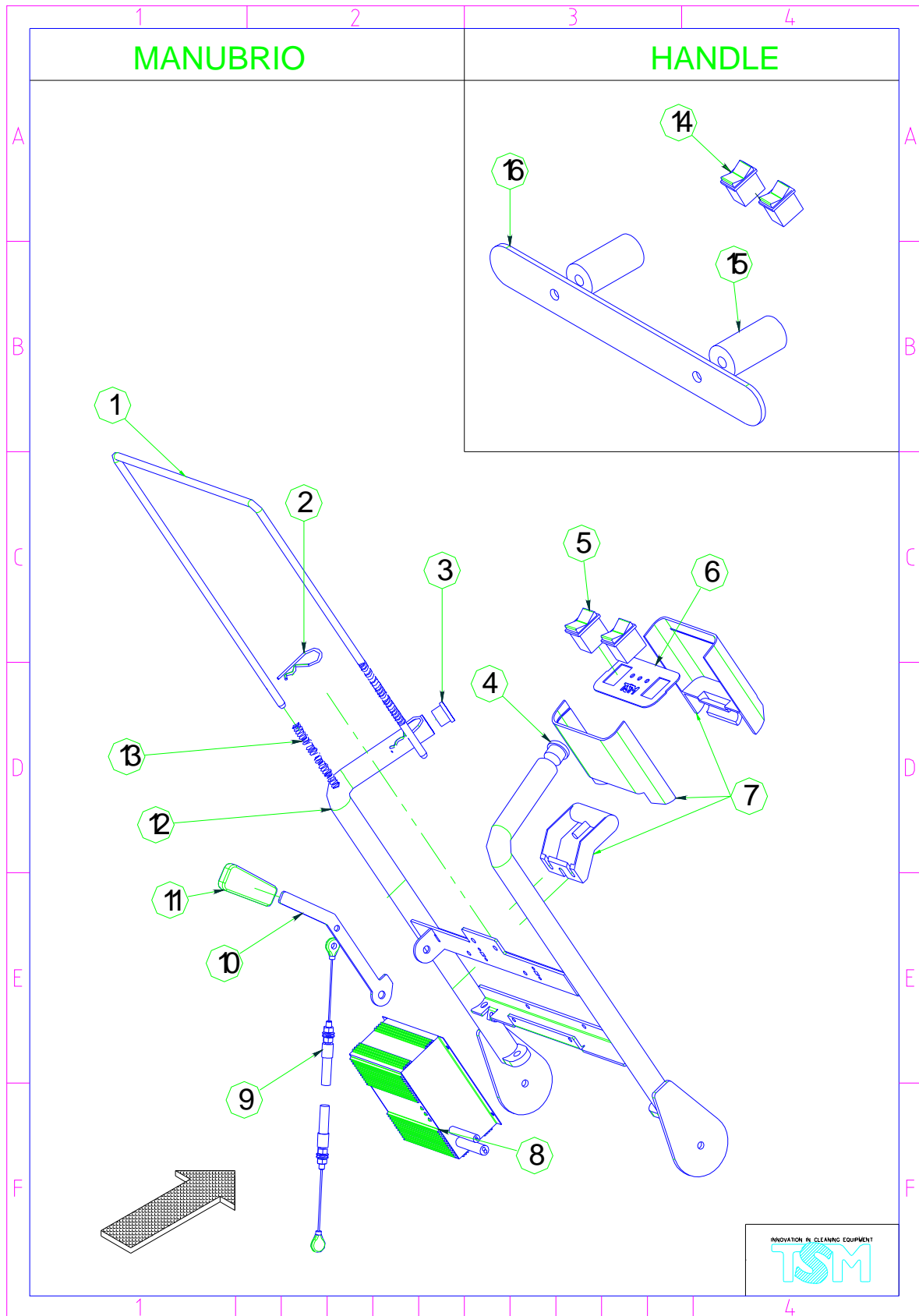
By
Technological Systems by Moro s.r.l.



Technological Systems by Moro S.r.l.	Via F.lli Zambon 9 33080 Z.I. Praturlone – Fiume Veneto	(PN) – ITALIA
Tel.: 0434 – 564167	Fax: 0434 – 954069	info@tsmitaly.com

POS	Articolo	Q	DESCRIZIONE	DENOMINATION	NOMENCLATURE	BEZEICHNUNG
1	2655-0015-0	1	CUPOLINO	COVER	COUVERCLE	DECKEL
2	2135-0027-0	1	SUPPORTO FILTRO	SUPPORT	SUPPORT	HALTERUNG
3	15-3200-003	1	SFERA	FLOAT	FLOTTEUR	SCHWIMMER
4	15-3100-003	1	FILTRO	FILTER	FILTRE	FILTER
5	2705-0039-1	1	GUARNIZIONE	GASKET	JOINT	DICHTUNG
6	2321-0001-1	1	FILTRO CARICO ACQUA	FILTER	FILTRE	FILTER
7	2655-0010-0	1	SERBATOIO ACQUA SPORCA	RECOVERY TANK	RESERVOIR EAU SALE	SCHMUTZWASSERTANK
8	15-3324-001	1	RACCORDO	CONNECTOR	RACCORD	VERSCHRAUBUNG
9	15-3500-002	1	VALVOLA	COCK	ROBINET	WASSERHAHN
10	15-3363-002	1	RACCORDO MASCHIO	CONNECTOR	RACCORD	VERSCHRAUBUNG
11	2665-0086-0	1	TUBO IN GOMMA	HOSE	TUYAU	SCHLAUCH
12	15-3511-006	1	ELETTROVALVOLA 12V	SOLENOID 12V	ROBINET 12V	WASSERHAHN 12V
13	15-3363-004	2	RACCORDO FEMMINA	CONNECTOR	RACCORD	VERSCHRAUBUNG
14	2665-0087-0	1	TUBO IN GOMMA	HOSE	TUYAU	SCHLAUCH
15	2130-0368-0A	2	SUPPORTO TESTATA	SUPPORT	SUPPORT	HALTERUNG
16	2224-0001-1	1	BOCCOLA TESTATA	BUSHING	BAGUE	BUCHSE
17	2655-0011-0	1	SERBATOIO DETERGENTE	SOLUTION TANK	RESERVOIR EAU PROPRE	FRISCHWASSERTANK
18	15-3600-000	1	TAPPO ALLARGABILE	COVER	COUVERCLE	DECKEL
19	2130-0369-4Z	2	FLANGIA GUIDA	FLANGE	FLASQUE	FLANSCH
20	2665-0081-0	1	TUBO SUPERFLEXTRACT	HOSE	TUYAU	SCHLAUCH
21	2665-0084-0	1	TUBO SUPERFLEXTRACT	HOSE	TUYAU	SCHLAUCH
22	15-3351-001	1	GHIERA	RING NUT	EMBOUT	NUTMUTTER
23	15-3511-007	1	ELETTROVALVOLA 220V	SOLENOID 220V	ROBINET 220V	WASSERHAHN 220V

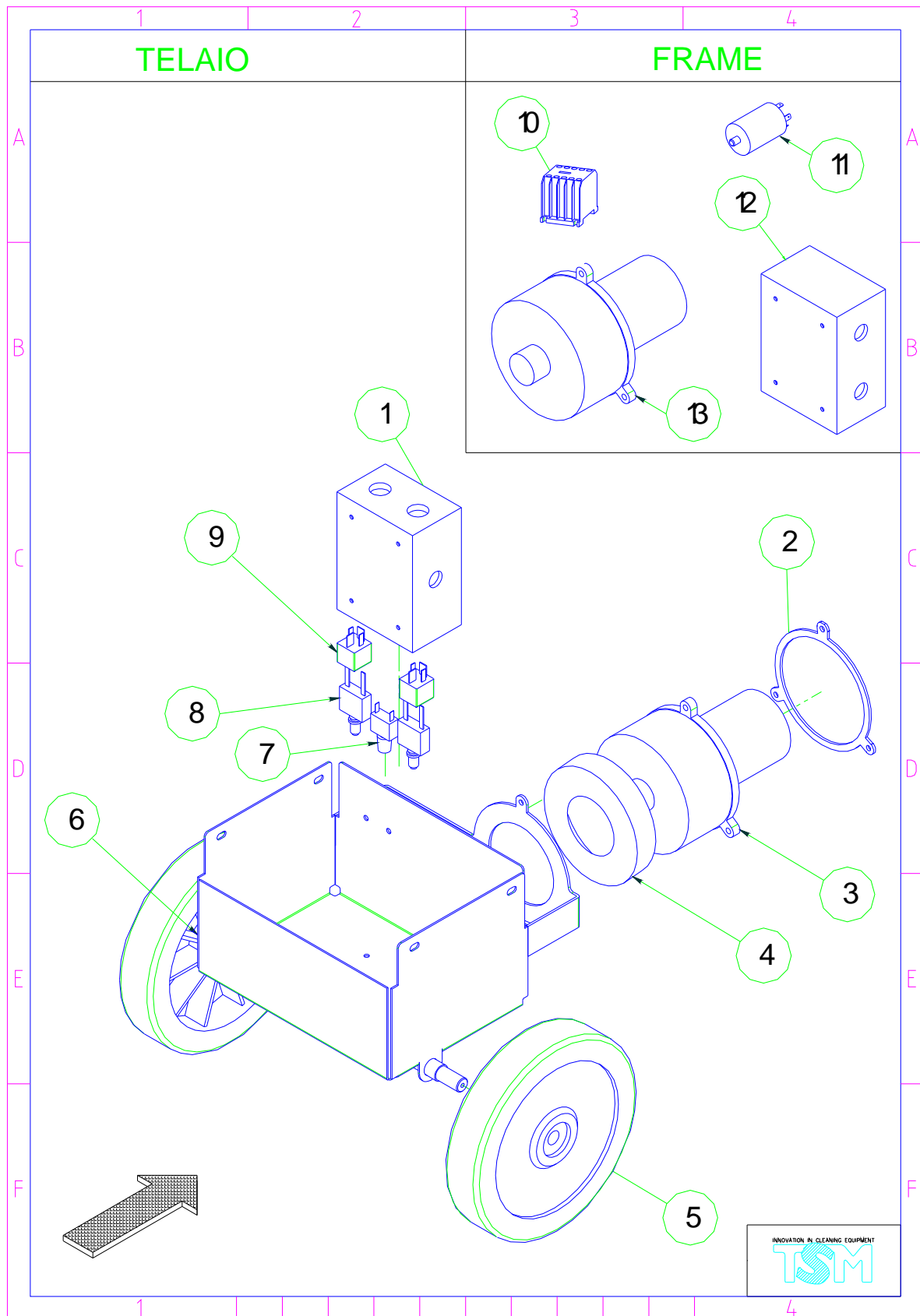
Technological Systems by Moro S.r.l.	Via F.lli Zambon 9	(PN) – ITALIA
	33080 Z.I. Praturrone – Fiume Veneto	
Tel.: 0434 – 564167	Fax: 0434 – 954069	info@tsmitaly.com



<p>Technological Systems by Moro S.r.l.</p>	<p>Via F.lli Zambon 9 33080 Z.I. Praturlone – Fiume Veneto</p>	<p>(PN) – ITALIA</p>
<p>Tel.: 0434 – 564167</p>	<p>Fax: 0434 – 954069</p>	<p>info@tsmitaly.com</p>

POS	Articolo	Q	DESCRIZIONE	DENOMINATION	NOMENCLATURE	BEZEICHNUNG
1	2020-0045-1A	1	LEVA	LEVER	LEVIER	HEBEL
2	10-4500-000	2	COPIGLIA A "R" Ø1,8	SPLIT PIN	GOUPILLE	SPLINT
3	15-1301-000	1	TAPPO CHIUDIFORO	COVER	COUVERCLE	DECKEL
4	15-0112-010	1	INTERRUTTORE	SWITCH	INTERRUPTOR	SCHALTER
5	15-0112-008	2	INTERRUTTORE 12V	SWITCH 12V	INTERRUPTOR 12V	SCHALTER 12V
6	2500-0029-2	1	FRONTALE CONSOLLE	FRONTAL	FRONTALE	FRONTAL
7	15-0180-000	1	CONSOLLE	CONTROL PANEL	TABLEAU DE COMMANDE	SCHALTAFEL
8	18-0014-001	1	CARICABATTERIA	BATTERY CHARGER	CHARGEUR	LADEGERAT
9	3070-0016-1	1	FUNE FLESSIBILE	CABLE	CABLE	KABEL
10	2020-0047-2Z	1	LEVA	LEVER	LEVIER	HEBEL
11	15-0202-001	1	MANOPOLA	KNOB	POIGNEE	HANDGRIFF
12	3290-0002-3A	1	MANUBRIO	HANDLE	GUIDON	HANDGRIFF
13	15-2030-001	2	MOLLA	SPRING	RESSORT	FEDER
14	15-0112-003	2	INTERRUTTORE 220V	SWITCH 220V	INTERRUPTOR 220V	SCHALTER
15	2225-0007-0	2	DISTANZIALE	INSERT	SUPPLEMENT	AKTENBUENDEL
16	2130-0391-0	1	PIASTRA AVVOLGICAVO	PLAQUE	PLAQUETTE	BEFESTIGUNGSAUFLAGE

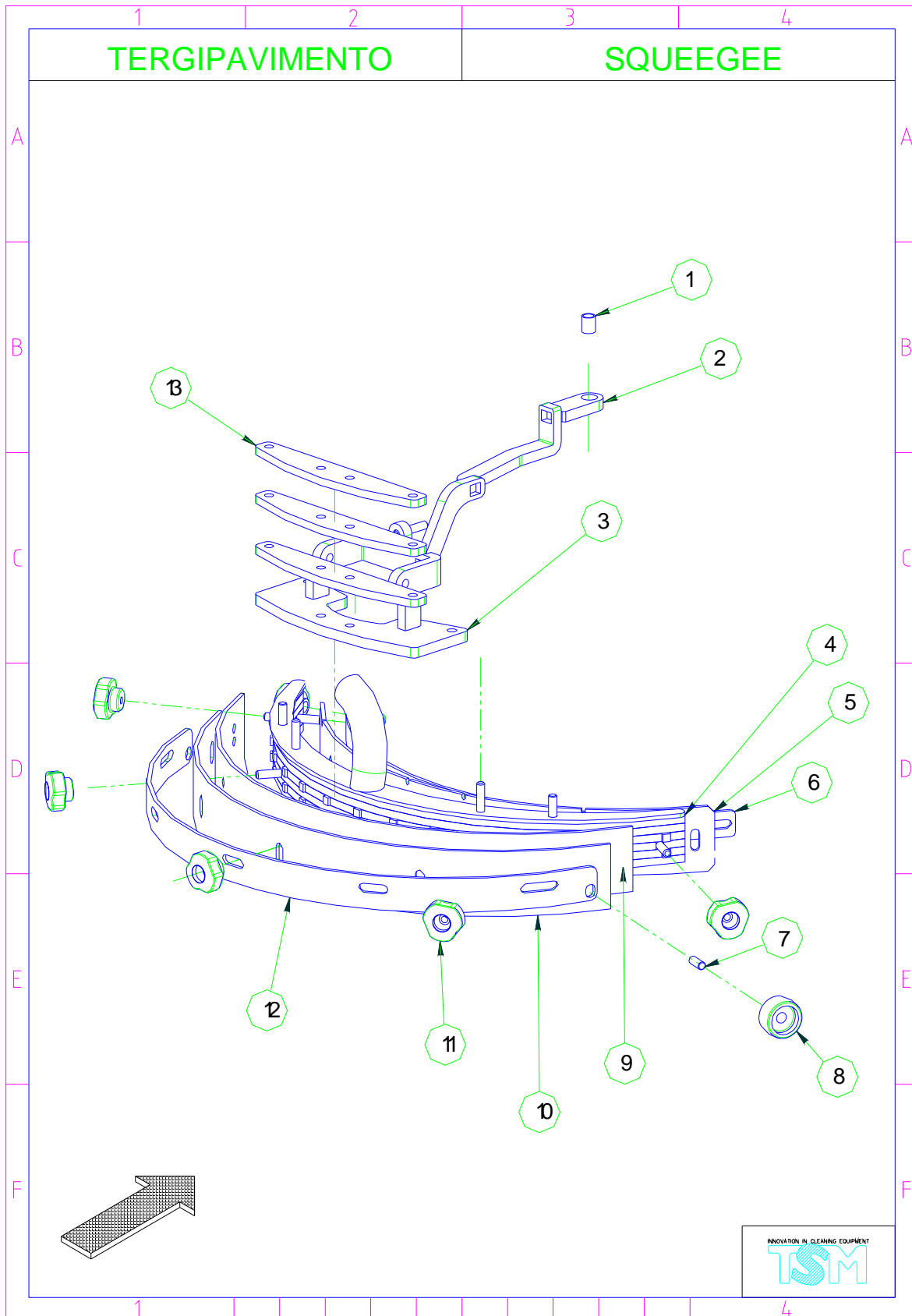
Technological Systems by Moro S.r.l.	Via F.lli Zambon 9	(PN) – ITALIA
	33080 Z.I. Praturrone – Fiume Veneto	
Tel.: 0434 – 564167	Fax: 0434 – 954069	info@tsmitaly.com



Technological Systems by Moro S.r.l.	Via F.lli Zambon 9 33080 Z.I. Praturlone – Fiume Veneto	(PN) – ITALIA
Tel.: 0434 – 564167	Fax: 0434 – 954069	info@tsmitaly.com

POS	Articolo	Q	DESCRIZIONE	DENOMINATION	NOMENCLATURE	BEZEICHNUNG
1	2545-0001-0	1	SCATOLA COMANDI ELETTRICI 24V	ELECTRIC BOX 24V	BOITE ELECTRIQUE 24V	ELEKTRISCHER KASTEN 24V
2	2130-0367-0A	1	SUPPORTO ASPIRATORE	SUPPORT	SUPPORT	HALTERUNG
3	13-1100-000	1	MOTORE 12V	MOTOR 12V	MOTO 12V	MOTOR 12V
4	15-3020-000	1	GUARNIZIONE	GASKET	JOINT	DICHTUNG
5	12-0000-008	2	RUOTA FOLLE Ø250	WHEEL	ROUE	ROLLE
6	3130-0063-2A	1	BASAMENTO	SUPPORT	SUPPORT	HALTERUNG
7	14-0009-050	1	TERMICA 5A	PROTECTION	PROTECTION THERMIQUE	SCHUTZ
7	14-0009-051	1	PROTEZIONE TERMICA 5A	PROTECTION COVER	COUVERTURE	DECKEL
8	14-0009-130	2	TERMICA 30°	PROTECTION	PROTECTION THERMIQUE	SCHUTZ
8	14-0009-131	2	PROTEZIONE TERMICA 30A	PROTECTION COVER	COUVERTURE	DECKEL
9	14-9903-001	2	RELE' 12V	RELAY	RELAIS	RELAIS
10	14-9902-002	2	TELERUTTORE 220V	TELEBREAKER 220V	TELERUPTEUR 220V	BETÄTIGUNGSSCHALTER FÜR FERNSTEUERUNG 220V
11	14-9905-000	1	FILTRO	FILTER	FILTRE	FILTER
12	13-1110-003	1	MOTORE 220V	MOTOR 220V	MOTO 220V	MOTOR 220V
13	2545-0002-0	1	SCATOLA COMANDI ELETTRICI 220V	ELECTRIC BOX 220V	BOITE ELECTRIQUE 220V	ELEKTRISCHER KASTEN 220V

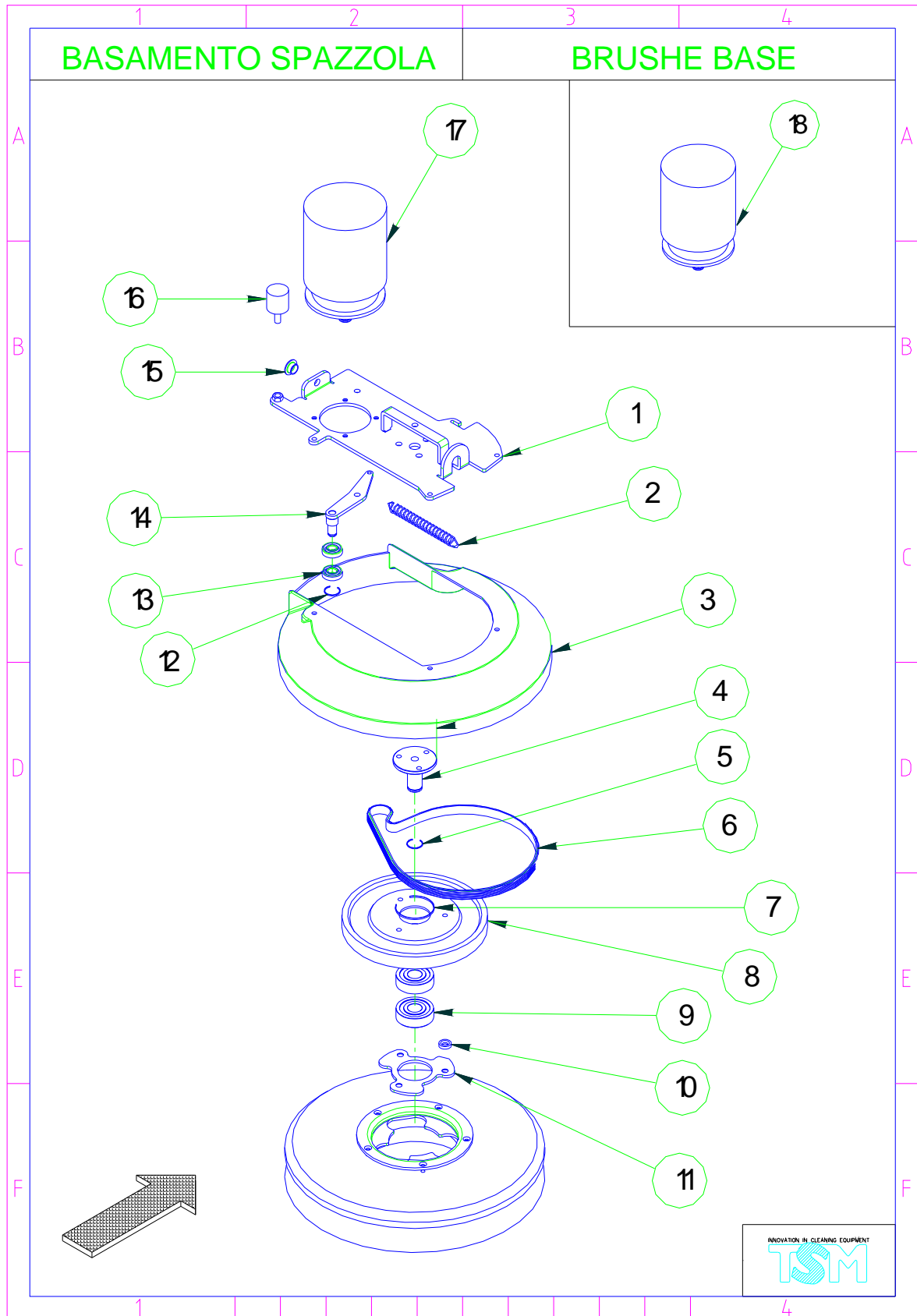
Technological Systems by Moro S.r.l.	Via F.lli Zambon 9 33080 Z.I. Praturrone – Fiume Veneto	(PN) – ITALIA
Tel.: 0434 – 564167	Fax: 0434 – 954069	info@tsmitaly.com



Technological Systems by Moro S.r.l.	Via F.lli Zambon 9 33080 Z.I. Praturlone – Fiume Veneto	(PN) – ITALIA
Tel.: 0434 – 564167	Fax: 0434 – 954069	info@tsmitaly.com

POS	Articolo	Q	DESCRIZIONE	DENOMINATION	NOMENCLATURE	BEZEICHNUNG
1	2224-0002-0	1	BOCCOLA	BUSHING	BAGUE	BUCHSE
2	3610-0018-0Z	1	1°TIRANTE TERGIPAVIMENTO	ARM	BRAS	ARM
3	3610-0017-1Z	1	2°TIRANTE TERGIPAVIMENTO	ARM	BRAS	ARM
4	4920-0015-0	1	TERGIPAVIMENTO	SQEEGEE	SUCEUR	SAUGFUSS
5	2705-0035-1	1	GUARNIZIONE INTERNA	GASKET	JOINT	DICHTUNG
6	2260-0069-0Z	1	FERMO GUARN. ANTERIORE	BLADE	PLAQUETTE	LEISTE
7	2220-0028-0	2	DISTANZIALE	INSERT	SUPPLEMENT	AKTENBUENDEL
8	2395-0002-0	2	RUOTA TERGI	WHEEL	ROUE	RAD
9	2705-0040-0	1	GUARNIZIONE INTERMEDIA	GASKET	JOINT	DICHTUNG
10	2705-0036-1	1	GUARNIZIONE ESTERNA	GASKET	JOINT	DICHTUNG
11	10-6203-001	10	VOLANTINO M 6	HANDWHEEL	VOLANT	DREHGRIFF
12	2260-0068-2Z	1	FERMO GUARN. POSTERIORE	BLADE	PLAQUETTE	LEISTE
13	2120-0033-1Z	3	ZAVORRA	BALLAST	LEST	DROSSEL

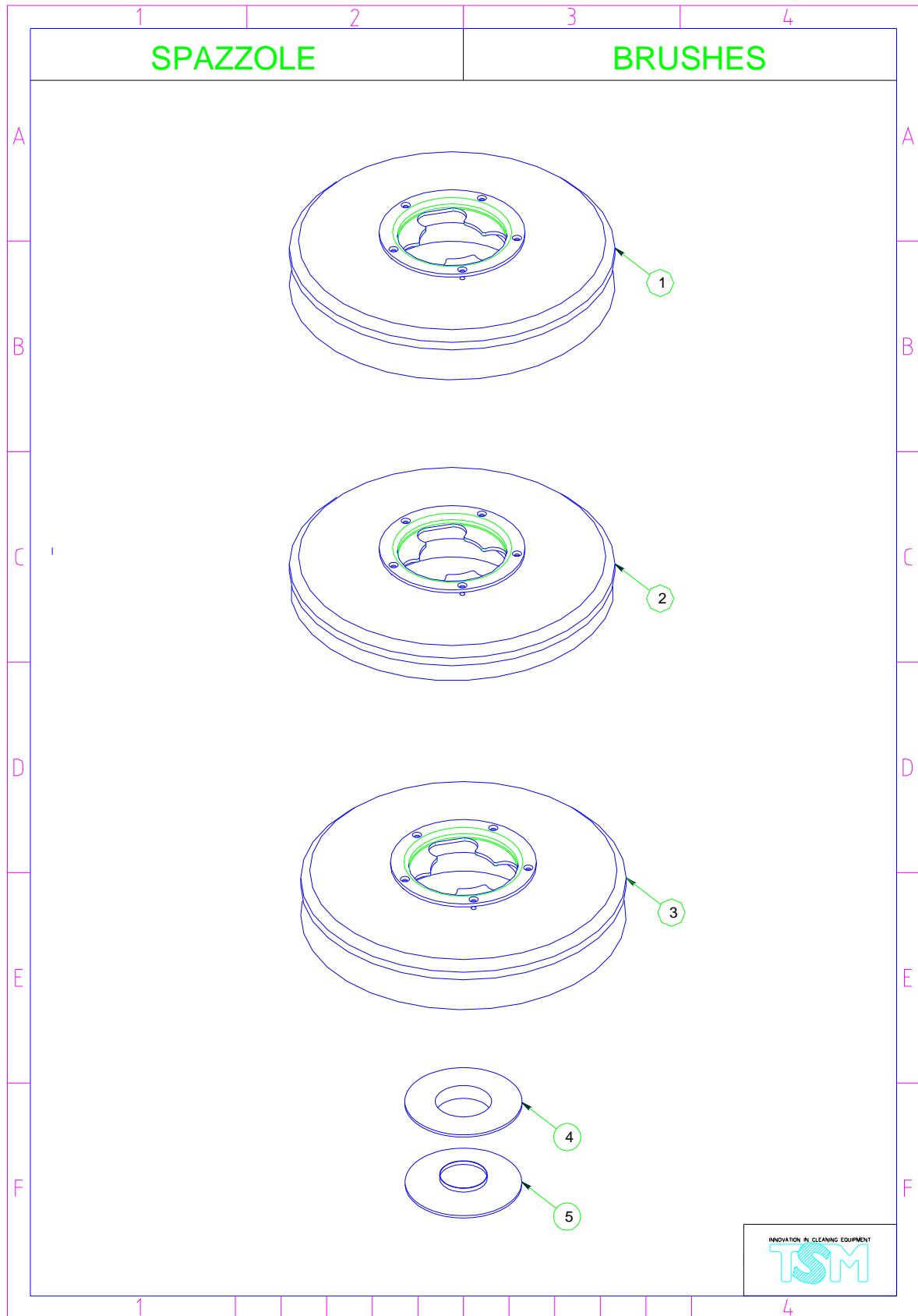
Technological Systems by Moro S.r.l.	Via F.lli Zambon 9 33080 Z.I. Praturlone – Fiume Veneto	(PN) – ITALIA
Tel.: 0434 – 564167	Fax: 0434 – 954069	info@tsmitaly.com



Technological Systems by Moro S.r.l.	Via F.lli Zambon 9 33080 Z.I. Praturlone – Fiume Veneto	(PN) – ITALIA
Tel.: 0434 – 564167	Fax: 0434 – 954069	info@tsmitaly.com

POS	Articolo	Q	DESCRIZIONE	DENOMINATION	NOMENCLATURE	BEZEICHNUNG
1	3130-0068-0Z	1	SUPPORTO MOTORE	SUPPORT	SUPPORT	HALTERUNG
2	15-2020-000	1	MOLLA	SPRING	RESSORT	FEDER
3	2365-0049-2	1	COPERTURA SPAZZOLA	BRUSH COVER	COUVERCLE DE BROSSE	DECKEL
4	3460-0000-0Z	1	ASSE MOZZO – TESTATA	?	?	?
5	10-4800-020	1	SEEGER Ø 20	SEEGER RING	SERRE CLIP	SEEGERRING
6	2485-0000-0	1	CINGHIA POLY V	BELT	COURROIE	RIEMEN
7	10-4800-152	1	SEEGER Ø 52	SEEGER RING	SERRE CLIP	SEEGERRING
8	3432-0000-0	1	PULEGGIA CONDOTTA	PULLEY	POULIE	RIEMENSCHIEBE
9	11-1020-002	2	CUSCINETTO	BEARING	ROULEMENT	LAGER
10	2220-0026-0Z	3	DISTANZIALE MOZZO	INSERT	SUPPLEMENT	AKTENBUENDEL
11	2450-0002-0Z	1	DISCO GUIDA WIRBEL	GUIDING PLATE	DISQUE GUIDE	LEITPLATTE
12	10-4800-012	1	SEEGER Ø 12	SEEGER RING	SERRE CLIP	SEEGERRING
13	11-1020-001	2	CUSCINETTO	BEARING	ROULEMENT	LAGER
14	3200-0002-1Z	1	TENDICINGHIA	BELT TIGHTENER	TENDEUR DE COURROIE	RIEMENSPANNER
15	11-0110-000	1	BOCCOLA Ø8	BUSHING	BAGUE	BUCHSE
16	15-2011-000	1	AMMORTIZZATORE	SILENT BLOCK	SUPPORT ANTI-VIBRATOIRE	DAEMPFER
17	13-0000-000	1	MOTORE SPAZZOLE 12V	BRUSH MOTOR 12V	MOTEUR BROSSE 12V	MOTOR 12V
18	13-0100-001	1	MOTORE SPAZZOLE 220V	BRUSH MOTOR 220V	MOTEUR BROSSE 220V	MOTOR 220V

Technological Systems by Moro S.r.l.	Via F.lli Zambon 9	(PN) – ITALIA
	33080 Z.I. Praturrone – Fiume Veneto	
Tel.: 0434 – 564167	Fax: 0434 – 954069	info@tsmitaly.com



Technological Systems by Moro S.r.l.	Via F.lli Zambon 9 33080 Z.I. Praturrone – Fiume Veneto	(PN) – ITALIA
Tel.: 0434 – 564167	Fax: 0434 – 954069	info@tsmitaly.com

POS	Articolo	Q	DESCRIZIONE	DENOMINATION	NOMENCLATURE	BEZEICHNUNG
1	4905-0017-0	1	SPAZZOLA 350MM PPL Ø0,6	BRUSH Ø0,6	BROSSE Ø0,6	BURSTE Ø0,6
1	4905-0017-1	1	SPAZZOLA 350MM PPL Ø0,4	BRUSH Ø0,4	BROSSE Ø0,4	BURSTE Ø0,4
1	4905-0017-2	1	SPAZZOLA 350MM PPL Ø0,3	BRUSH Ø0,3	BROSSE Ø0,3	BURSTE Ø0,3
2	4915-0005-0	1	DISCO TRASCINATORE 350MM	PAD HOLDER 350	DISQUE ENTRENEUR 350	AUFLAGEHALTER
3	4905-0027-0	1	SPAZZOLA 350MM ABRASIVO	BRUSH TYNEX	BROSSE TYNEX	BURSTE TYNEX
4	18-1000-005	1	CENTER LOCK	CENTER LOCK	CENTER LOCK	CENTER LOCK

Technological Systems by Moro S.r.l.	Via F.lli Zambon 9	(PN) – ITALIA
	33080 Z.I. Praturone – Fiume Veneto	
Tel.: 0434 – 564167	Fax: 0434 – 954069	info@tsmitaly.com

Le descrizioni contenute nella presente pubblicazione non si intendono impegnative. La Ditta pertanto si riserva il diritto di apportare in qualunque momento le eventuali modifiche ad organi, dettagli, forniture di accessori, che essa ritiene convenienti per un miglioramento o per qualsiasi esigenza di carattere costruttivo o commerciale.

La riproduzione anche parziale dei testi e dei disegni contenuti nel presente catalogo è vietata ai sensi di legge.

The descriptions and illustrations contained in the present publication are understood to be non-binding. The Manufacturer thus reserves the rights to effect, at any time, any such alterations to items, component parts and accessory supplies as it may deem necessary for the purposes of improvement or in order to meet any demand of constructional or commercial nature. Reproduction of either text or drawings, in full or in part, other than with the prior written consent of T.S.M. s.r.l., is expressly forbidden.

Les descriptions et les illustrations contenues dans la présente publication n'engagent pas le constructeur. Le Fabricant se réserve le droit de modifier à tout moment les organes, détails et fournitures d'accessoires nécessaires à une amélioration technique ou commerciale des machines.

La reproduction même partielle des textes et illustrations contenus dans ce catalogue est illégale, tout contrairement elle pourra être pénalement poursuivie.

Die in dieser Anleitung enthaltenen Beschreibungen und Abbildungen sind unverbindlich. Die Firma behält sich das Recht vor, eventuelle Änderungen an Elementen, Einzelteilen und Lieferungen von Zubehörteilen ohne Ankündigung vorzunehmen, welche sich im Hinblick auf konstruktive Verbesserungen ergeben.

Der Nachdruck der Texte und Zeichnungen, die in diesem Katalog enthalten sind, auch teilweise, ist laut Gesetz untersagt.

Las descripciones contenidas en esa publicación no son vinculantes. Por consiguiente la Empresa se reserva el derecho de modificar eventualmente en cualquier momento las piezas, los detalles y los suministros de piezas de repuesto, de la manera que considera útil para lograr mejoras o por cualquier exigencia de tipo constructivo o comercial.

La reproducción aún parcial de los textos y de los dibujos contenidos en este catálogo queda prohibida con arreglo a la ley.

Technological Systems by Moro S.r.l.	Via F.lli Zambon 9 33080 Z.I. Praturlone – Fiume Veneto	(PN) – ITALIA
Tel.: 0434 – 564167	Fax: 0434 – 954069	info@tsmitaly.com