

# MAXXI WD 3, MAXXI WD 7

---

Model:  
MAXXI WD 3  
MAXXI WD 7  
MAXXI WD 7 DUO



Dellista Svenska

25-06-2010

**Nilfisk**  
**ALTO**  
*Why Compromise*

[www.nilfisk-alto.com](http://www.nilfisk-alto.com)

# Innehållsförteckning

MAXXI WD 3, MAXXI WD 7

<b>Motor top WD3</b>	<b>3</b>
<b>Motor top WD7</b>	<b>5</b>
<b>Motor top WD7 DUO</b>	<b>7</b>
<b>Container WD3</b>	<b>9</b>
<b>Container WD7</b>	<b>11</b>
<b>VAGN</b>	<b>13</b>
<b>Nozzles, tubes and hoses</b>	<b>15</b>
<b>Filter and dustbags</b>	<b>17</b>
<b>Rekommenderade reservdelar</b>	<b>19</b>

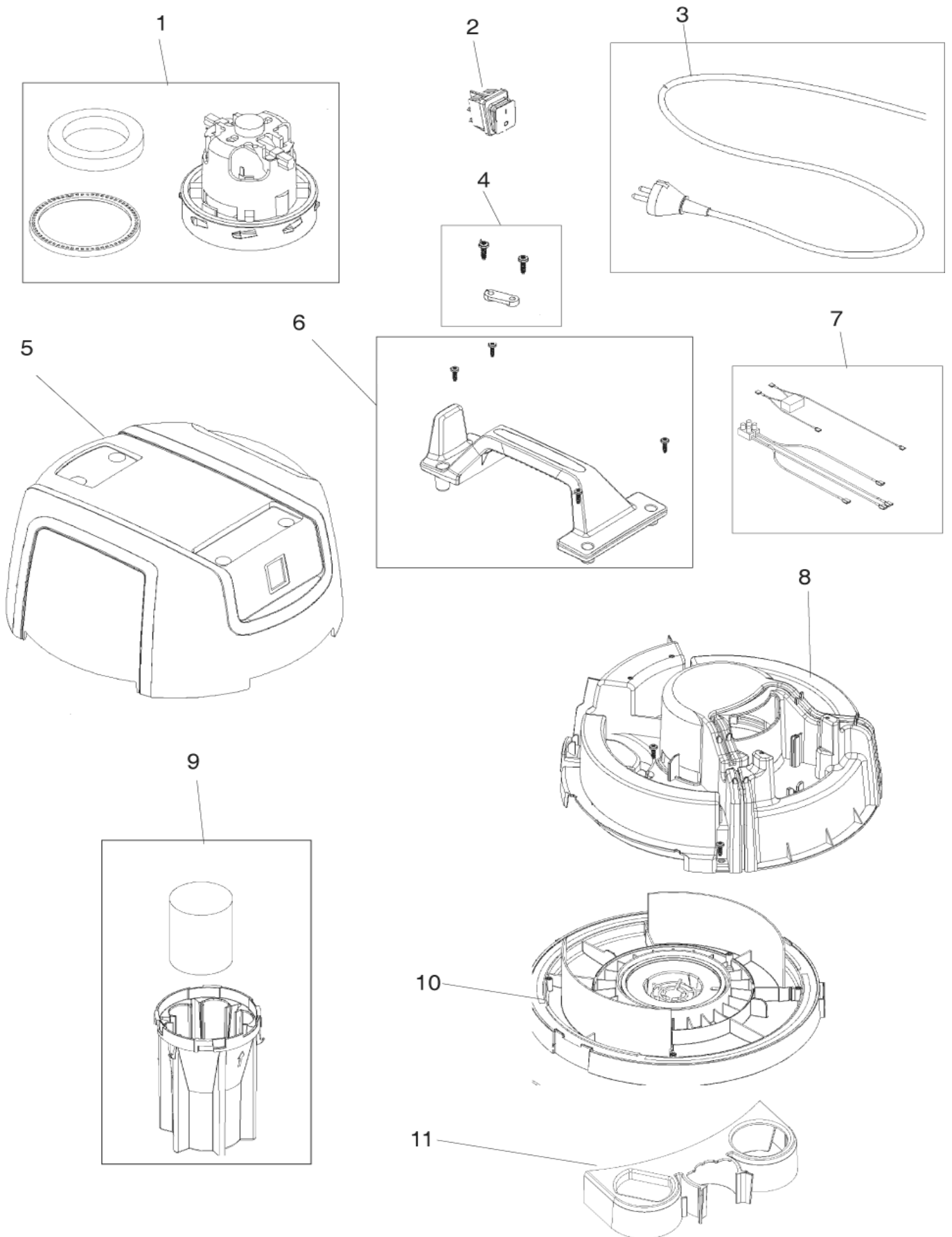
# Motor top WD3

MAXXIWD 3, MAXXIWD 7

25-06-2010

Dellista ID  
MAXXIWD3702

3



# Motor top WD3

MAXXI WD 3, MAXXI WD 7

25-06-2010

Dellista ID  
MAXXIWD3702

4

Pos	Varunr.	Ant	Beskrivning		EAN
1	140 8689 500	1	FAN UNIT BY PASS 220-240VGWD 320, GWD 335	GASKETS INCL.	7319519639
1	140 8689 510	1	FAN UNIT BP 1350W 100-120V	GASKETS INCL.	7319519639
2	140 9537 500	1	SWITCH TWO POLE 2 PCSGD 320, GWD 300-SERIES		7319519639
3	12003805	1	CORD SET JP CPL. L 15M		5715492003
3	12222501	1	KIT FOR NETLEDNING 10M EU		5715492008
3	12222503	1	CORD SET UK L 10M		5715492008
3	12222506	1	CORD SET AU/NZ L 10M		5715492008
4	140 6560 500	1	ANTI STRAIN CLIP	SCREWS INCL.	7319519640
5	140 8668 500	1	COVER TOP GWD 300 SERIES BLACK	SCREWS INCL.	7319519646
6	140 8651 510	1	HANDLE GWD 300-SERIES BLACK	SCREWS INCL.	7319519646
7	140 7042 500	1	WIRE INTERNAL FOR GWD 300		7319519640
8	140 8653 500	1	COVER FAN UNIT		7319519640
9	140 8680 500	1	FLOAT BASKETGWD 300 SERIES		7319519640
10	140 8664 510	1	CHASSIS GWD 300-SERIES BLACK		7319519646
11	140 8698 510	1	HOLDER ACCESSORIES 32MM B		7319519646

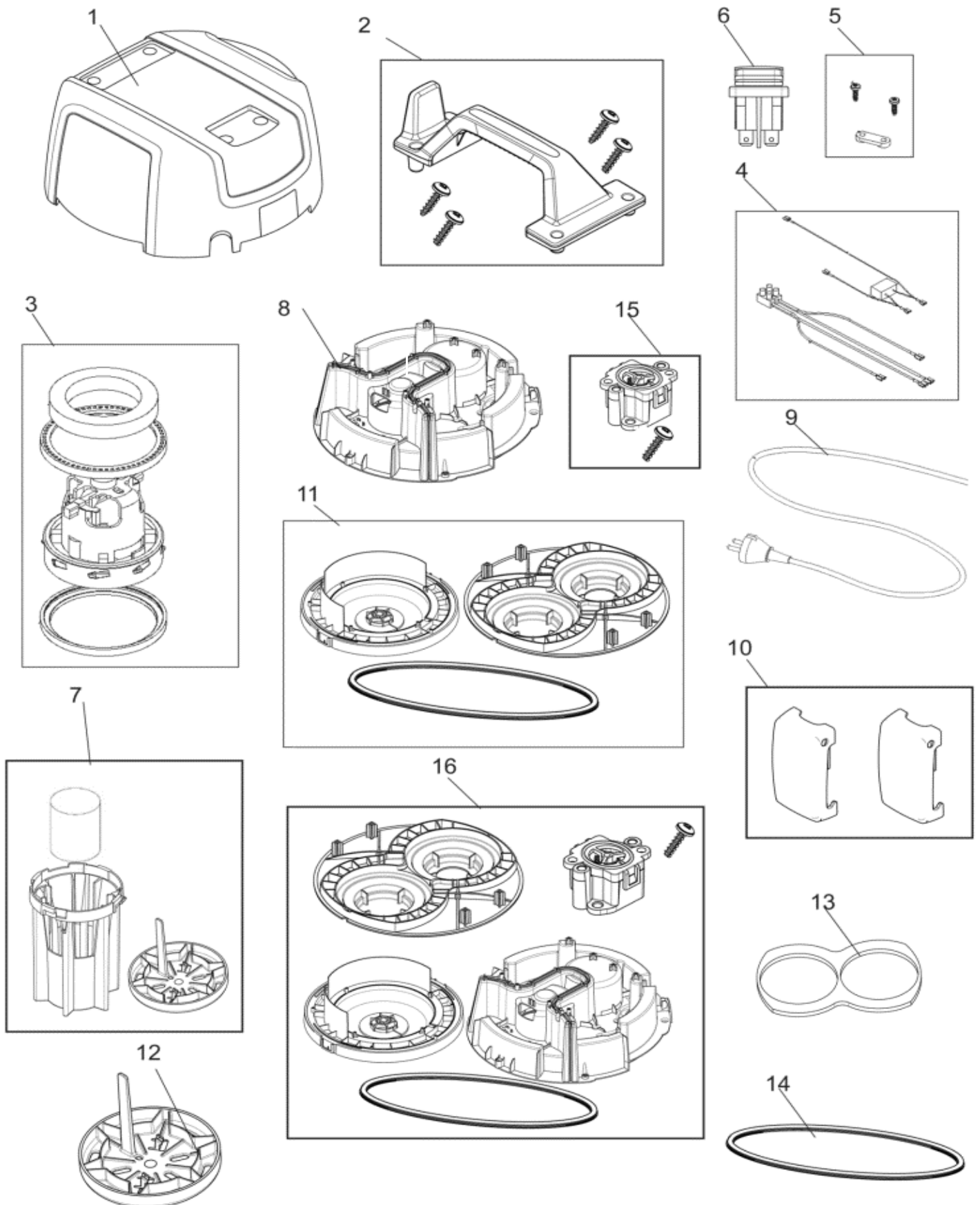
# Motor top WD7

MAXXIWD 3, MAXXIWD 7

25-06-2010

Dellista ID  
MAXXIWD3704

5



# Motor top WD7

## MAXXI WD 3, MAXXI WD 7

25-06-2010

Dellista ID  
MAXXIWD3704

6

Pos	Varunr.	Ant	Beskrivning		EAN
1	140 9532 500	1	COVER TOP GWD 300 SERIES BLACK	OEM - Alto version	7319519646
2	140 8651 510	1	HANDLE GWD 300-SERIES BLACK	OEM - Alto version SCREWS INCL.	7319519646
3	140 8689 500	1	FAN UNIT BY PASS 220-240VGWD 320, GWD 335		7319519639
3	140 8689 510	1	FAN UNIT BP 1350W 100-120V		7319519639
4	140 7620 500	1	SUPPRESSOR EU/UK/AU/NZ		7319519640
8	140 9523 500	1	COVER FAN UNIT GWD350/375		7319519640
9	12003805	1	CORD SET JP CPL. L 15M		5715492003
9	12222501	1	KIT FOR NETLEDNING 10M EU		5715492008
9	12222506	1	CORD SET AU/NZ L 10M		5715492008
10	140 8691 620	1	LATCH CPL. TOP MOUNTED	TOP MOUNTED LATCHES	7319519646
11	140 9508 510	1	CHASSIS GWD 350/3752 FAN UNITS	SEALING INCL.	7319519640
11	140 9508 560	1	CHASSIS GWD 350/375 1-MOTOR	1-motor Black	7319519671
13	140 9529 500	1	SOUND ABSORBER		7319519660
14	140 9509 500	1	GASKET FOR GWD 350/375		7319519665
15	147 1225 520	1	VACUUM VALVE CPL.	For 1350W Motor	7319519671
16	147 1448 540	1	CONVERSION KIT GWD 350/375	1 MOTOR VERSION, UL	7319519671
16	147 1448 560	1	CONVERSION KIT GWD 350/375	1 MOTOR VERSION	7319519671
9	12222503	1	CORD SET UK L 10M		5715492008

Since the vacuum safety valve ( Part number 147 1225 520) was introduced, an old motor cover could no longer be fitted with a new chassis and vice versa. Therefore the conversion kit (Item number 16) Part number 147 1448 5x0 are introduced. The conversion kit contains all the necessary parts to rebuild the motor tops to the new design. After this modification the machine will be according to the new updated specs with safety valve and can be fitted with separately spare parts.

In other words, this modification needs only to be performed once.

Machines that are older than serial no.; 0803 067937 needs this modification to be able to fit a new part included in these kits.

Machines with serial no. larger than 0803 067937 could be fitted with each part separately.

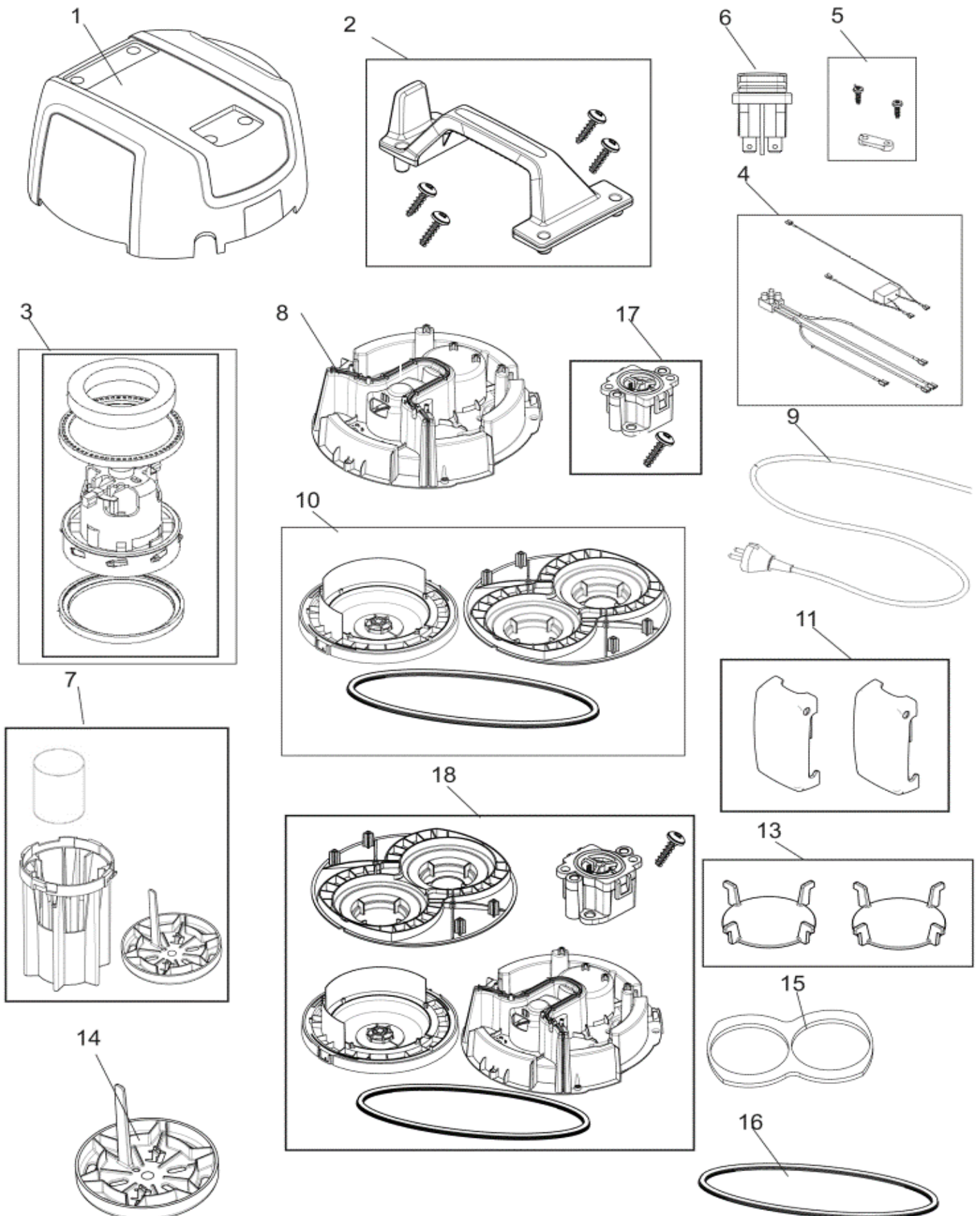
# Motor top WD7 DUO

MAXXIWD 3, MAXXIWD 7

25-06-2010

Dellista ID  
MAXXIWD3706

7



# Motor top WD7 DUO

MAXXI WD 3, MAXXI WD 7

25-06-2010

Dellista ID  
MAXXIWD3706

8

Pos	Varunr.	Ant	Beskrivning	EAN
1	140 9530 500	1	COVER TOP GWD 300-SERIES BLACK OUTLETS FOR 2 SWITCHES	7319519646
2	140 8651 510	1	HANDLE GWD 300-SERIES BLACK	7319519646
3	140 8689 500	1	FAN UNIT BY PASS 220-240VGWD 320, GWD 335 GASKETS INCL.	7319519639
3	140 8689 510	1	FAN UNIT BP 1350W 100-120V GASKETS INCL.	7319519639
4	140 7620 530	1	SUPPRESSOR EU/UK/AU/NZ	7319519640
5	140 6560 500	1	ANTI STRAIN CLIP SCREWS INCL.	7319519640
6	140 9537 500	1	SWITCH TWO POLE 2 PCSGD 320, GWD 300-SERIES	7319519639
7	140 8680 500	1	FLOAT BASKETGWD 300 SERIES	7319519640
8	140 9523 500	1	COVER FAN UNIT GWD350/375 2-MOTOR VERSION	7319519640
9	12003805	1	CORD SET JP CPL. L 15M	5715492003
9	12222501	1	KIT FOR NETLEDNING 10M EU	5715492008
9	12222503	1	CORD SET UK L 10M	5715492008
9	12222506	1	CORD SET AU/NZ L 10M	5715492008
10	140 9508 550	1	CHASSIS GWD 350/375 2-MOTOR 2 MOTOR VERSION, UL	7319519671
10	140 9508 560	1	CHASSIS GWD 350/375 1-MOTOR 2MOTOR VERSION	7319519671
11	140 8691 620	1	LATCH CPL. TOP MOUNTED	7319519646
13	140 9526 500	1	MOTOR TOP GWD 350/3752 FAN UNITS	7319519640
14	147 1119 500	1	FLOAT BASKET ADAPTER	7319519660
15	140 9529 500	1	SOUND ABSORBER	7319519660
16	140 9509 500	1	GASKET FOR GWD 350/375	7319519665
17	147 1225 520	1	VACUUM VALVE CPL. For 230-240V 1350 W Fan unit	7319519671
18	147 1448 550	1	CONVERSION KIT GWD 350/375 2-motor UL	7319519671
18	147 1448 570	1	CONVERSION KIT GWD 350/375 2-motor	7319519671

Since the vacuum safety valve (Part number 147 1225 520) was introduced, an old motor cover could no longer be fitted with a new chassis and vice versa. Therefore the conversion kit (Item number 18) Part number 147 1448 5x0 are introduced. The conversion kit contains all the necessary parts to rebuild the motor tops to the new design. After this modification the machine will be according to the new updated specs with safety valve and can be fitted with separately spare parts.

In other words, this modification needs only to be performed once.

Machines that are older than serial no.; 0803 067937 needs this modification to be able to fit a new part included in these kits.

Machines with serial no. larger than 0803 067937 could be fitted with each part separately.

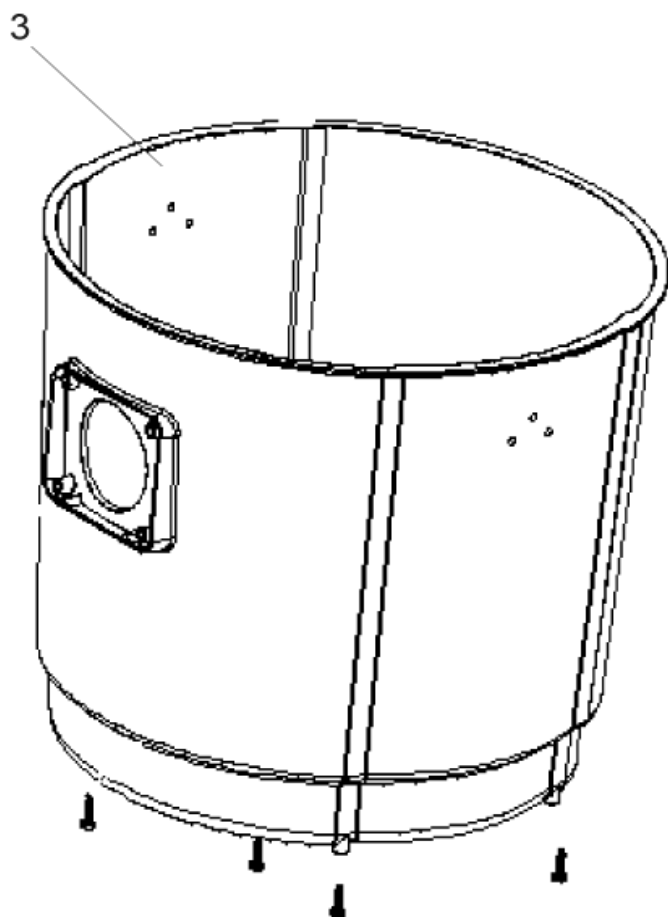
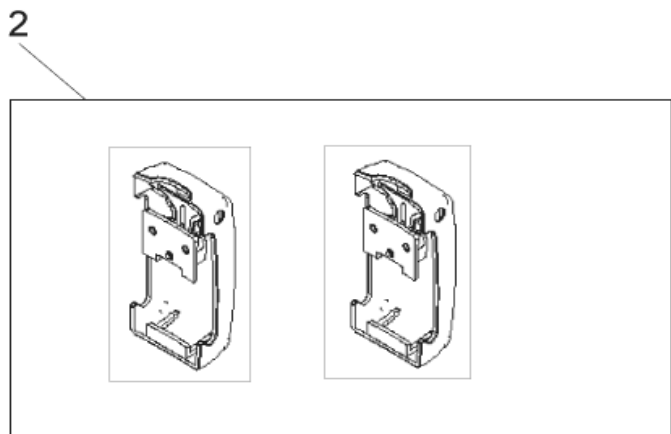
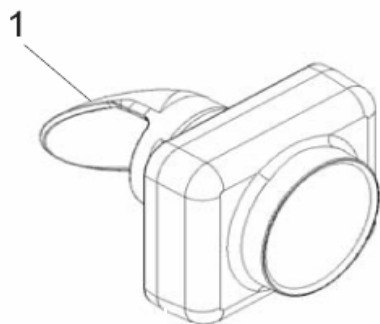
# Container WD3

MAXXI WD 3, MAXXI WD 7

25-06-2010

Dellista ID  
MAXXIWD3708

9



# Container WD3

MAXXI WD 3, MAXXI WD 7

25-06-2010

Dellista ID  
MAXXIWD3708

10

Pos	Varunr.	Ant	Beskrivning	EAN
1	147 0715 500	1	INLET ALTO WD BLACK	7319519647
2	140 8691 520	1	LATCH CPL. CONTAINER MOUNTED	7319519648
3	140 8672 530	1	CONTAINER 35L BLUE ALTO SCREWS INCL.	7319519647

# Container WD7

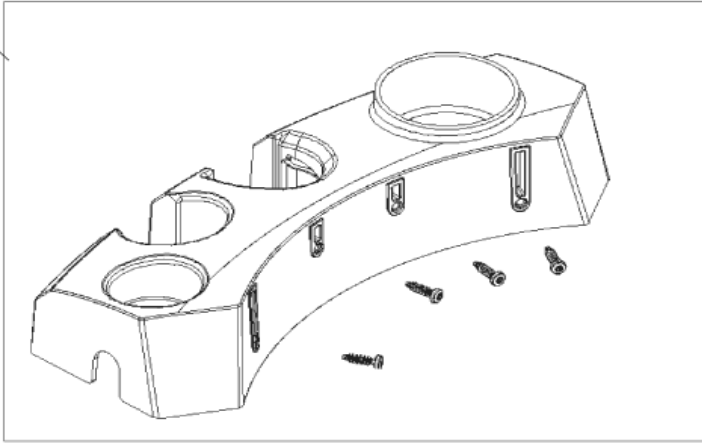
MAXXIWD 3, MAXXIWD 7

25-06-2010

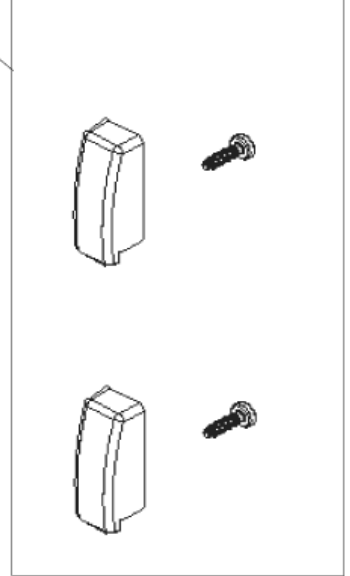
Dellista ID  
MAXXIWD3710

11

1

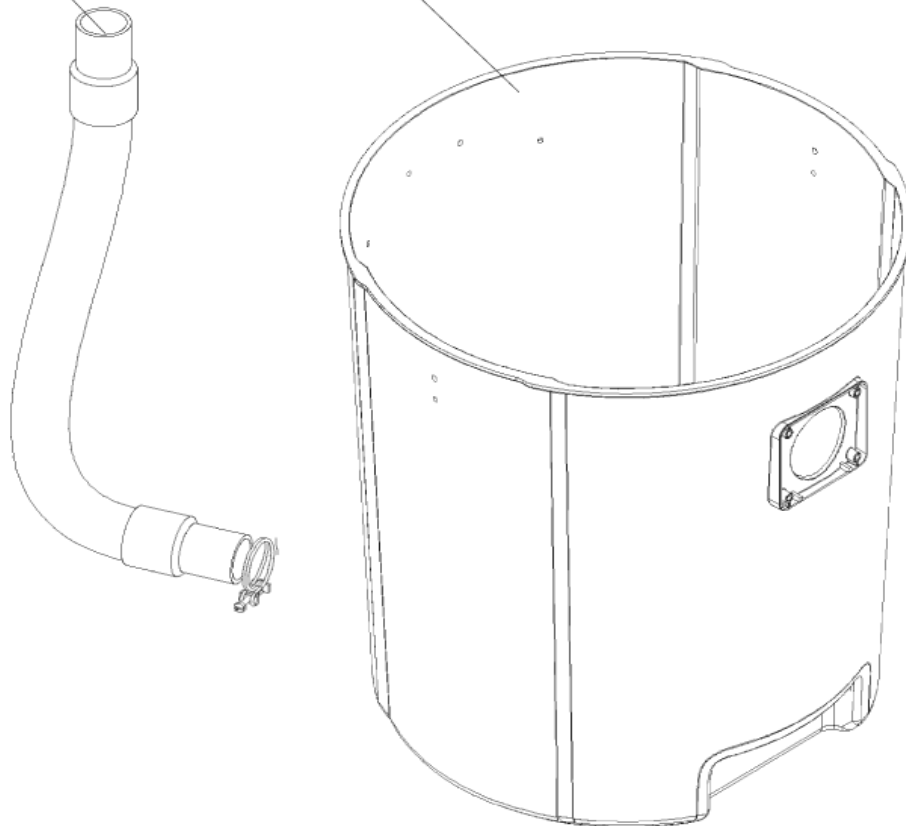


2

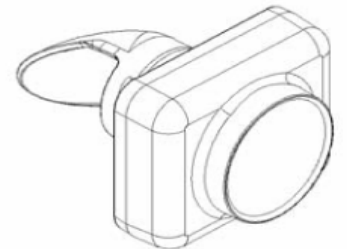


3

4



5



# Container WD7

MAXXI WD 3, MAXXI WD 7

25-06-2010

Dellista ID  
MAXXIWD3710

12

Pos	Varunr.	Ant	Beskrivning		EAN
1	140 9517 510	1	BRACKET F. CONTAINER 50/75L	SCREWS INCL.	7319519647
2	140 8685 500	1	HOOK CONTAINER	SCREWS INCL.	7319519640
3	140 7604 500	1	TÖMNINGSSLANG 32X530MMGWD 350/375	CLAMP INCL.	7319519640
4	140 9514 520	1	CONTAINER 75L BLUE ALTO	DRAIN OUTLET	7319519647
5	147 0715 500	1	INLET ALTO WD BLACK		7319519647

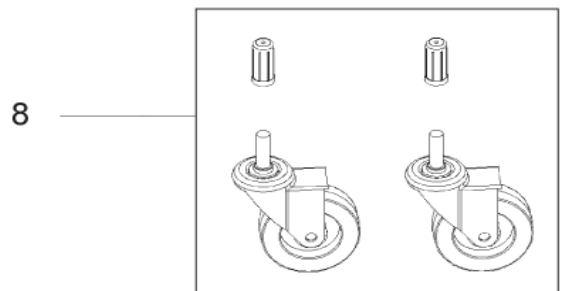
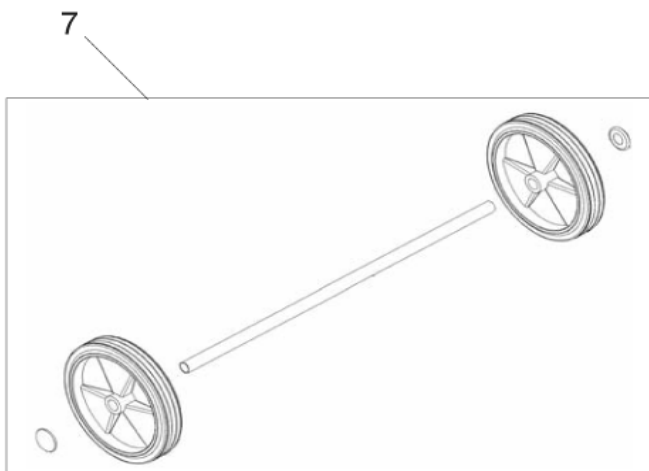
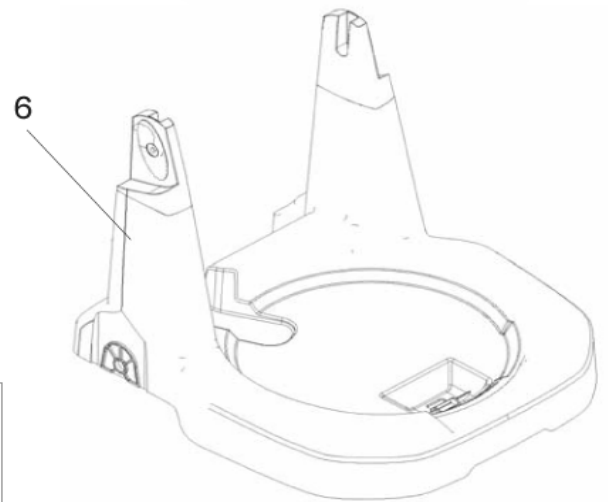
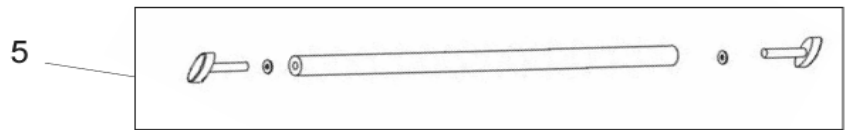
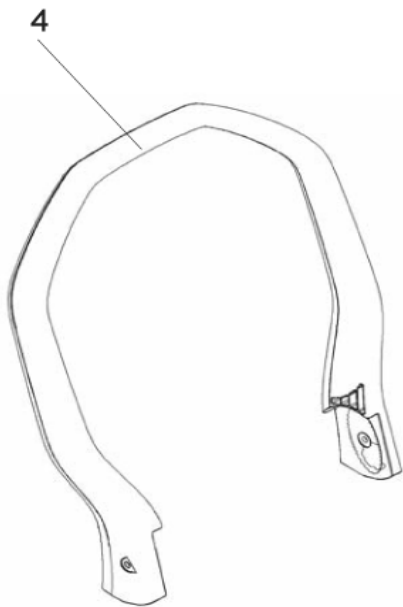
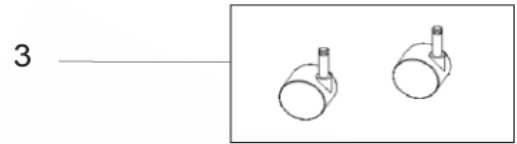
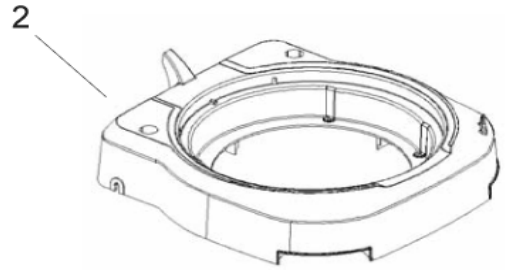
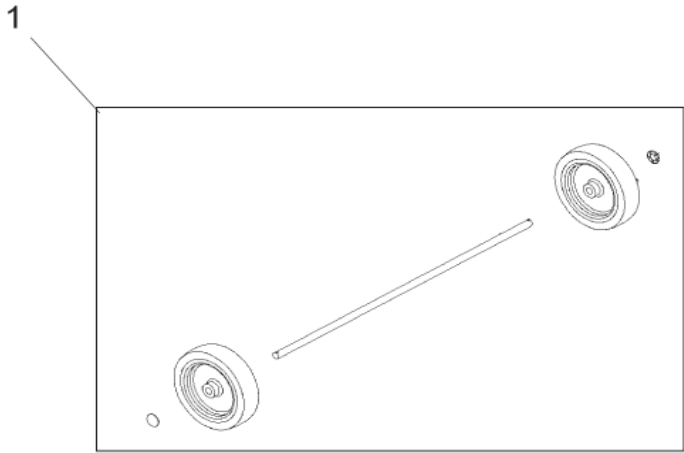
# VAGN

MAXXIWD 3, MAXXIWD 7

25-06-2010

Dellista ID  
MAXXIWD3712

13



# VAGN

MAXXIWD 3, MAXXIWD 7

25-06-2010

Dellista ID  
MAXXIWD3712

14

Pos	Varunr.	Ant	Beskrivning		EAN
1	140 8446 600	1	WHEEL REAR 2 PCSGD 320, GWD 320, GWD 335	SHAFT INCL., WD30	7319519639
2	140 8662 520	1	FRAME FOR TROLLEY GWD 300-SER.	WD30	7319519647
3	140 6422 500	1	FRAMHJUL, VRIDBART UZ934	WD30	7319519631
4	140 9519 510	1	HANDLE F. TROLLEY GWD 300-SER.	WD7	7319519647
5	140 9544 500	1	SHAFTGWD 350, GWD 375	WD7	7319519641
6	140 9518 510	1	FRAME F. TROLLEY GWD 300-SERIE	WD7	7319519647
7	140 8156 500	1	WHEEL TROLLEY 2 PCSGWD 350, GWD 375	WD7	7319519641
8	140 5476 500	1	WHEEL LINK TROLLEY 2 PCSGWD 350, GWD 375	WD7	7319519641

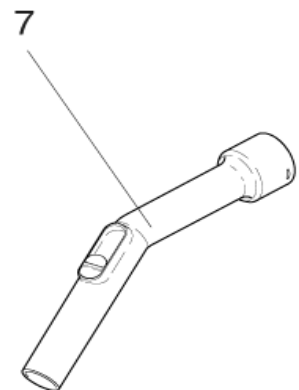
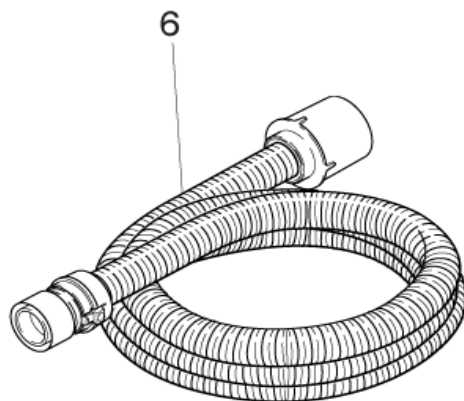
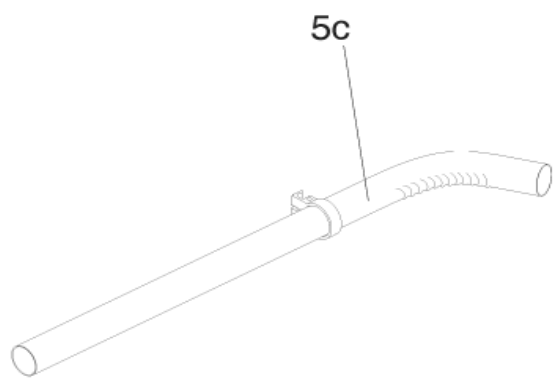
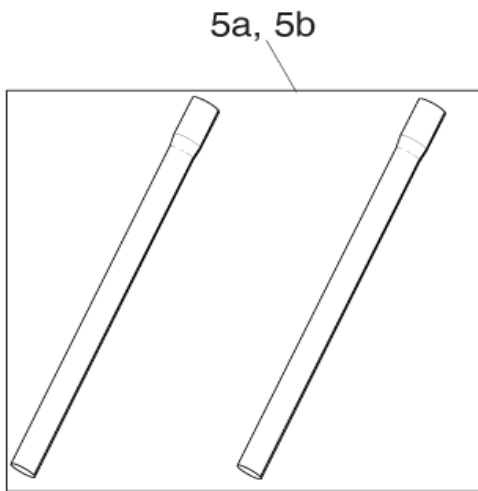
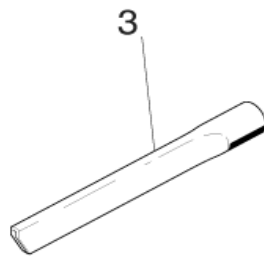
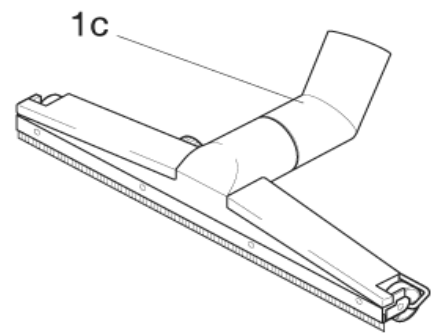
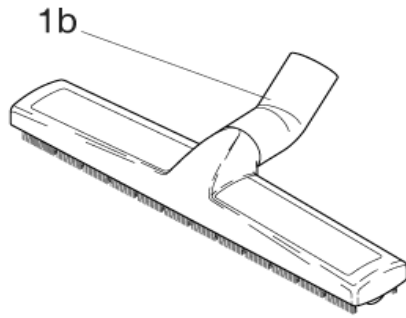
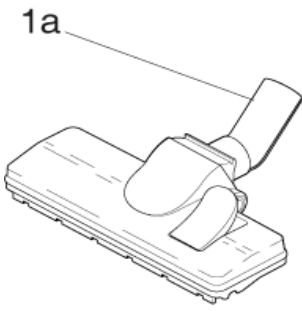
# Nozzles, tubes and hoses

MAXXIWD 3, MAXXIWD 7

25-06-2010

Dellista ID  
MAXXIWD3714

15



# Nozzles, tubes and hoses

MAXXI WD 3, MAXXI WD 7

25-06-2010

Dellista ID  
MAXXIWD3714

16

Pos	Varunr.	Ant	Beskrivning		EAN
2	14295	1	NOZZLE UNIVERSAL 115XØ36M	FOR WD 3, WD 7	4005337142
3	6084	1	FOGMUNSTYCKE 36/300MMPLAST	FOR WD 3, WD 7, WD 7-4	4005337060
3	7102	1	FOGMUNSTYCKE 50/200MMPLAST	FOR WD 7-5 DUO	4005337071
4	5146	1	SUCTION BRUSH Ø36	FOR WD 3	4005337051
6	15358	1	SUGSLANG 50MM 4M UNI	FOR WD 7-5 DUO	4005337153
6	302000473	1	SUCTION HOSE Ø32X3000 W.HAND TUBE	FOR WD 7	4005337682
6	46948	1	SUCTION HOSE Ø36X3000 CO	FOR WD 7-4 DUO	4005337469
6	60897	1	SLANG 032X1800AERO 440	FOR WD 3	4005337608
7	302000528	1	CURVED HAND TUBE 36 CHROMIUM-PLATED	FOR WD 7-4	4005337683
7	60911	1	CURVED HAND TUBE Ø32/Ø35	FOR WD 3	4005337609
1A	302000477	1	FLOOR NOZZLE Ø36X260	FOR WD 3	4005337682
1B	302000521	1	FLOOR NOZZLE	FOR WD 7, WD 7-4 DUO	4005337683
1C	15343	1	GOLVMUNSTYCKE 50/500MMBORST	FOR WD 7-5 DUO	4005337153
5A	107400032	1	KIT FOR EXTENSION TUBE Ø36 2X500MM ALU	FOR WD 3, WD 7	4005337147
5B	302000529	1	SUCTION PIPE Ø36X1100 SET -2  CHROMIUM-PLATED STE	o	4005337021
5C	15335	1	RÖR ALU 1M 50MM MED BÖJ	FOR WD 7-5 DUO. WITH HAND TUBE	4005337153

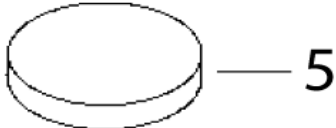
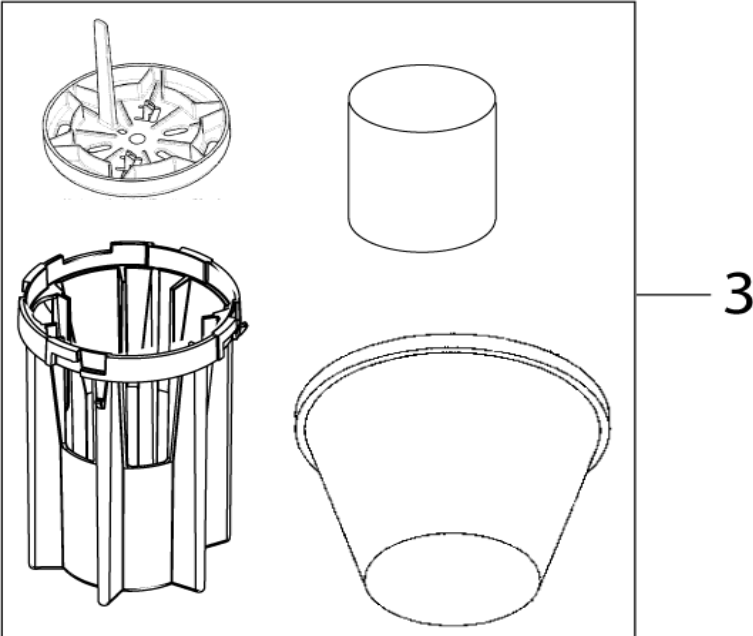
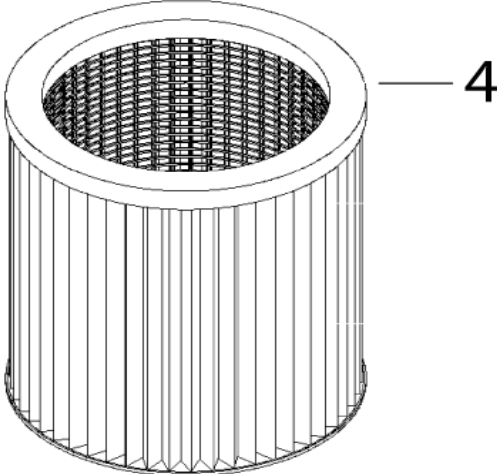
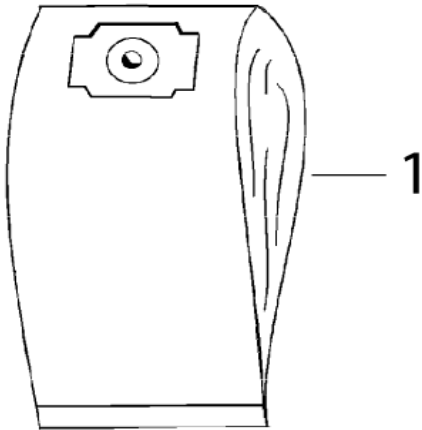
# Filter and dustbags

MAXXI WD 3, MAXXI WD 7

25-06-2010

Dellista ID  
MAXXIWD3716

17



# Filter and dustbags

MAXXI WD 3, MAXXI WD 7

25-06-2010

Dellista ID  
MAXXIWD3716

18

Pos	Varunr.	Ant	Beskrivning		EAN
1	147 0745 010	1	DAMMPÅSAR SYNTET 3ST/FPGWD 320/335	FOR WD 3	5715492032
1	147 0746 010	1	DAMMPÅSAR SYNTET 3ST/FPGWD 350/375	FOR WD 7	5715492032
3	140 8658 500	1	SÄCKFILTER GWD320,335FÖR VÅTT O TORRT	Wet & Dry filter, for WD 3	7319519639
3	140 8658 530	1	SÄCKFILTER VÅT 320/335	Wet filter, for WD 3	7319519671
3	140 9512 500	1	SÄCKFILTER GWD 350,375TORR O VÅT	Wet & Dry filter, for WD 7	7319519641
3	140 9512 510	1	SÄCKFILTER VÅT 350/375	Wet filter, for WD 7	7319519671
4	140 8686 500	1	CARTRIDGE FILTERFÖR TORRANVÄNDNING	FOR ALL MODELS	7319519641
5	140 8682 500	1	MOTORFILTER GWD 300 SERIE	FOR ALL MODELS	7319519639

# Rekommenderade reservdelar

MAXXIWD 3, MAXXIWD 7

25-06-2010

Dellista ID  
MAXXIWD3718

19

Ingen bild för dellista

# Rekommenderade reservdelar

MAXXI WD 3, MAXXI WD 7

25-06-2010

Dellista ID  
MAXXIWD3718

20

Pos	Varunr.	Ant	Beskrivning		EAN
1	107400032	1	KIT FOR EXTENSION TUBE Ø36 2X500MM ALU	FOR WD 3, WD 7	4005337147
1	12003805	1	CORD SET JP CPL. L 15M		5715492003
1	12222501	1	KIT FOR NETLEDNING 10M EU		5715492008
1	12222503	1	CORD SET UK L 10M		5715492008
1	12222506	1	CORD SET AU/NZ L 10M		5715492008
1	140 5476 500	1	WHEEL LINK TROLLEY 2 PCSGWD 350, GWD 375	WD7	7319519641
1	140 6422 500	1	FRAMHJUL, VRIDBART UZ934	WD30	7319519631
1	140 7620 500	1	SUPPRESSOR EU/UK/AU/NZ		7319519640
1	140 7620 530	1	SUPPRESSOR EU/UK/AU/NZ		7319519640
1	140 8156 500	1	WHEEL TROLLEY 2 PCSGWD 350, GWD 375	WD7	7319519641
1	140 8446 600	1	WHEEL REAR 2 PCSGD 320, GWD 320, GWD 335	SHAFT INCL, WD30	7319519639
1	140 8658 500	1	SÄCKFILTER GWD320,335FÖR VÅTT O TORRT	WET & DRY FILTER, FOR WD 3	7319519639
1	140 8658 530	1	SÄCKFILTER VÅT 320/335	WET FILTER, FOR WD 3	7319519671
1	140 8662 520	1	FRAME FOR TROLLEY GWD 300-SER.	WD30	7319519647
1	140 8664 510	1	CHASSIS GWD 300-SERIES BLACK		7319519646
1	140 8680 500	1	FLOAT BASKETGWD 300 SERIES		7319519640
1	140 8685 500	1	HOOK CONTAINER	SCREWS INCL	7319519640
1	140 8686 500	1	CARTRIDGE FILTERFÖR TORRANVÄNDNING	FOR ALL MODELS	7319519641
1	140 8689 500	1	FAN UNIT BY PASS 220-240VGWD 320, GWD 335	GASKETS INCL	7319519639
1	140 8689 510	1	FAN UNIT BP 1350W 100-120V	GASKETS INCL	7319519639
1	140 8691 520	1	LATCH CPL. CONTAINER MOUNTED		7319519648
1	140 8691 620	1	LATCH CPL. TOP MOUNTED	TOP MOUNTED LATCHES	7319519646
1	140 9509 500	1	GASKET FOR GWD 350/375		7319519665
1	140 9512 500	1	SÄCKFILTER GWD 350,375TORR O VÅT	WET & DRY FILTER, FOR WD 7	7319519641
1	140 9512 510	1	SÄCKFILTER VÅT 350/375	WET FILTER, FOR WD 7	7319519671
1	140 9518 510	1	FRAME F. TROLLEY GWD 300-SERIE	WD7	7319519647
1	140 9526 500	1	MOTOR TOP GWD 350/3752 FAN UNITS		7319519640
1	140 9537 500	1	SWITCH TWO POLE 2 PCSGD 320, GWD 300-SERIES		7319519639
1	147 0715 500	1	INLET ALTO WD BLACK		7319519647
1	147 0745 010	1	DAMPÅSAR SYNTET 3ST/FPGWD 320/335	FOR WD 3	5715492032
1	147 0746 010	1	DAMPÅSAR SYNTET 3ST/FPGWD 350/375	FOR WD 7	5715492032
1	147 1225 520	1	VACUUM VALVE CPL.	FOR 230-240V 1350 W FAN UNIT	7319519671
1	147 1448 540	1	CONVERSION KIT GWD 350/375	1 MOTOR VERSION, UL	7319519671
1	147 1448 560	1	CONVERSION KIT GWD 350/375	1 MOTOR VERSION	7319519671
1	15343	1	GOLVMUNSTYCKE 50/500MMBORST	FOR WD 7-5 DUO	4005337153
1	302000473	1	SUCTION HOSE Ø32X3000 W.HAND TUBE	FOR WD 7	4005337682
1	302000477	1	FLOOR NOZZLE Ø36X260	FOR WD 3	4005337682
1	302000528	1	CURVED HAND TUBE 136 CHROMIUM-PLATED	FOR WD 7-4	4005337683
1	302000529	1	SUCTION PIPE Ø36X1100 SET -2  CHROMIUM-PLATED STE	o	4005337021
1	60897	1	SLANG Ø32X1800AERO 440	FOR WD 3	4005337608
1	60911	1	CURVED HAND TUBE Ø32/Ø35	FOR WD 3	4005337609